

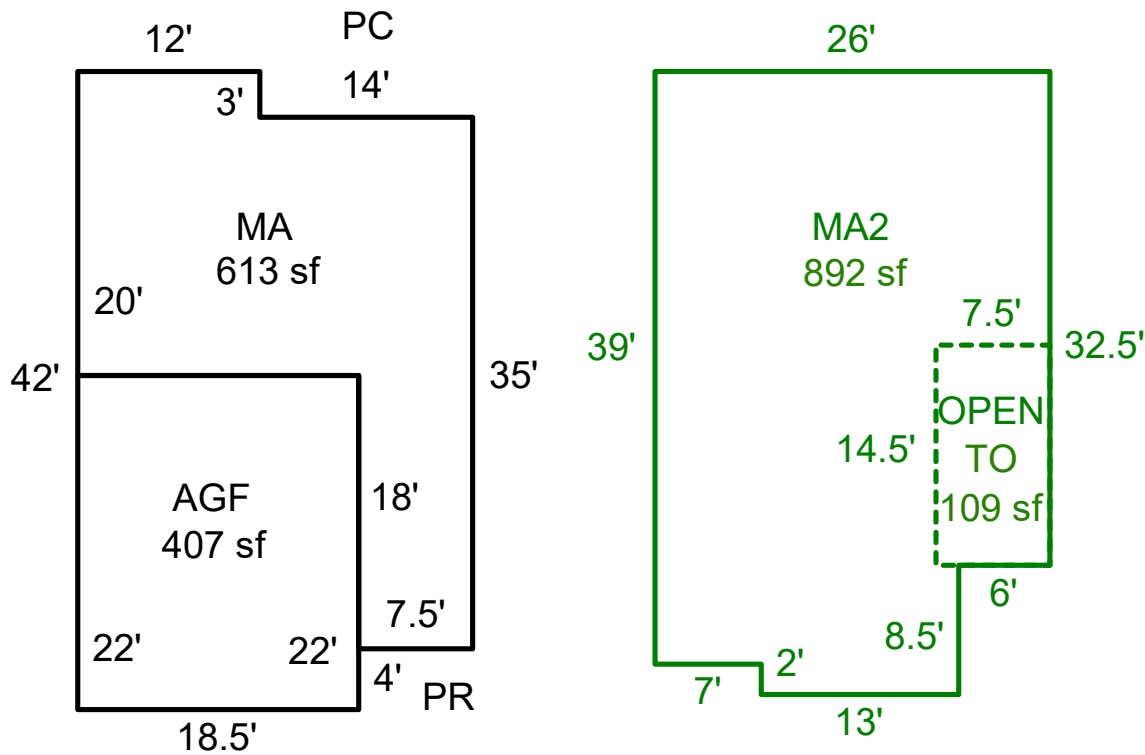
SKETCH/AREA TABLE ADDENDUM

SUBJECT INFO

File No.: 613637 Parcel No.: 051W18CD05000
 Property Address: 1331 Brown St
 City: Woodburn County: Marion State: OR ZipCode: 97071
 Owner:
 Client:
 Appraiser Name: Client Address:
 Inspection Date:

SKETCH

613637
051W18CD05000



Sketch by ApexSketch

AREA CALCULATIONS SUMMARY

Code	Description	Factor	Net Size	Perimeter	Net Totals
GLA	MA	1.0	613.0	128.0	613.0
GLA2	MA2	1.0	892.3	134.0	892.3
GAR	AGF	1.0	407.0	81.0	407.0
OTH	OPEN	1.0	108.8	44.0	108.8

COMMENT TABLE 1

Drawn by AE 4.16.26

COMMENT TABLE 2

COMMENT TABLE 3

Net LIVABLE cnt 2 (rounded) 1,505