

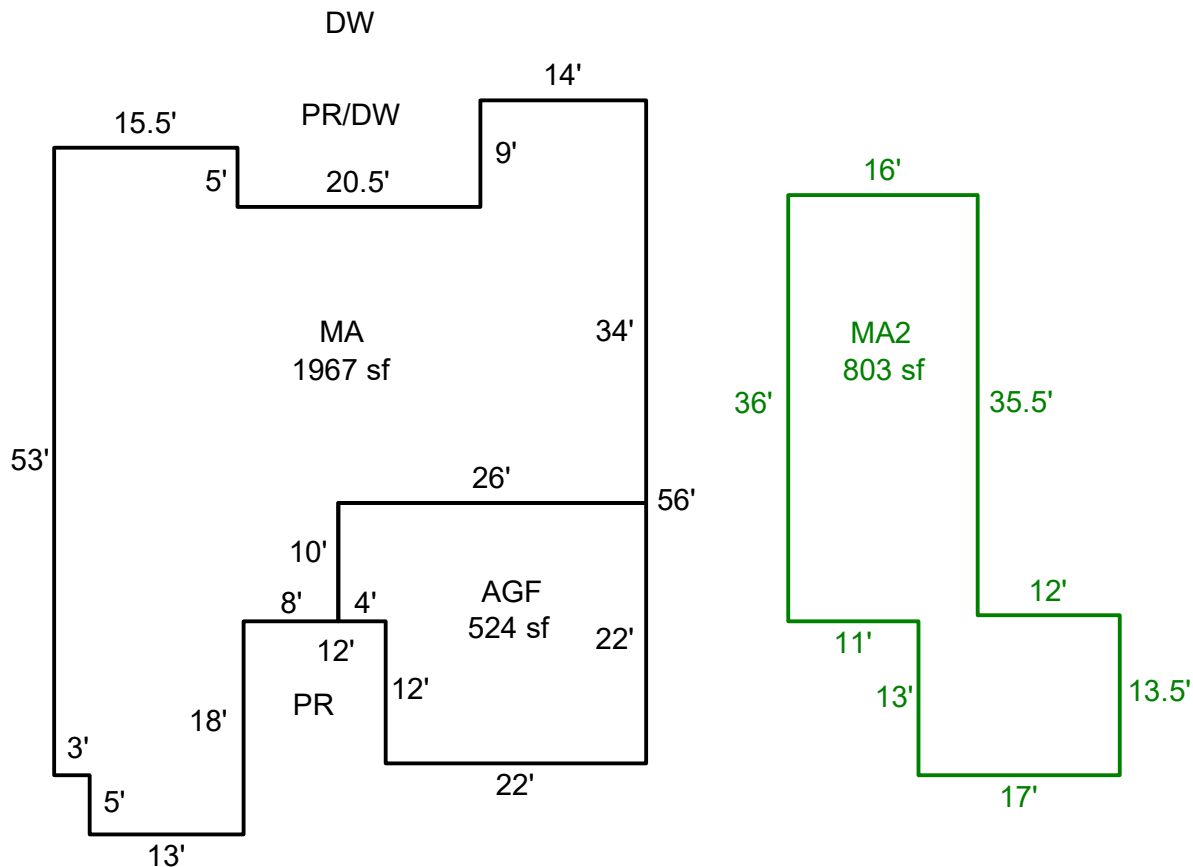
SKETCH/AREA TABLE ADDENDUM

SUBJECT INFO

File No.: 605199 Parcel No.: 083W04AA14400
 Property Address: 3388 Doughton St S
 City: Salem County: Marion State: OR ZipCode: 97302
 Owner:
 Client: Client Address:
 Appraiser Name: Inspection Date:

SKETCH

605199
083W04AA14400



Sketch by ApexSketch

AREA CALCULATIONS SUMMARY

Code	Description	Factor	Net Size	Perimeter	Net Totals
GLA	MA	1.0	1966.5	234.0	1966.5
GLA2	MA2	1.0	803.0	154.0	803.0
GAR	AGF	1.0	524.0	96.0	524.0

COMMENT TABLE 1

Drawn by AE 3.26.26

COMMENT TABLE 2

COMMENT TABLE 3

Net LIVABLE cnt 2 (rounded) 2,770