

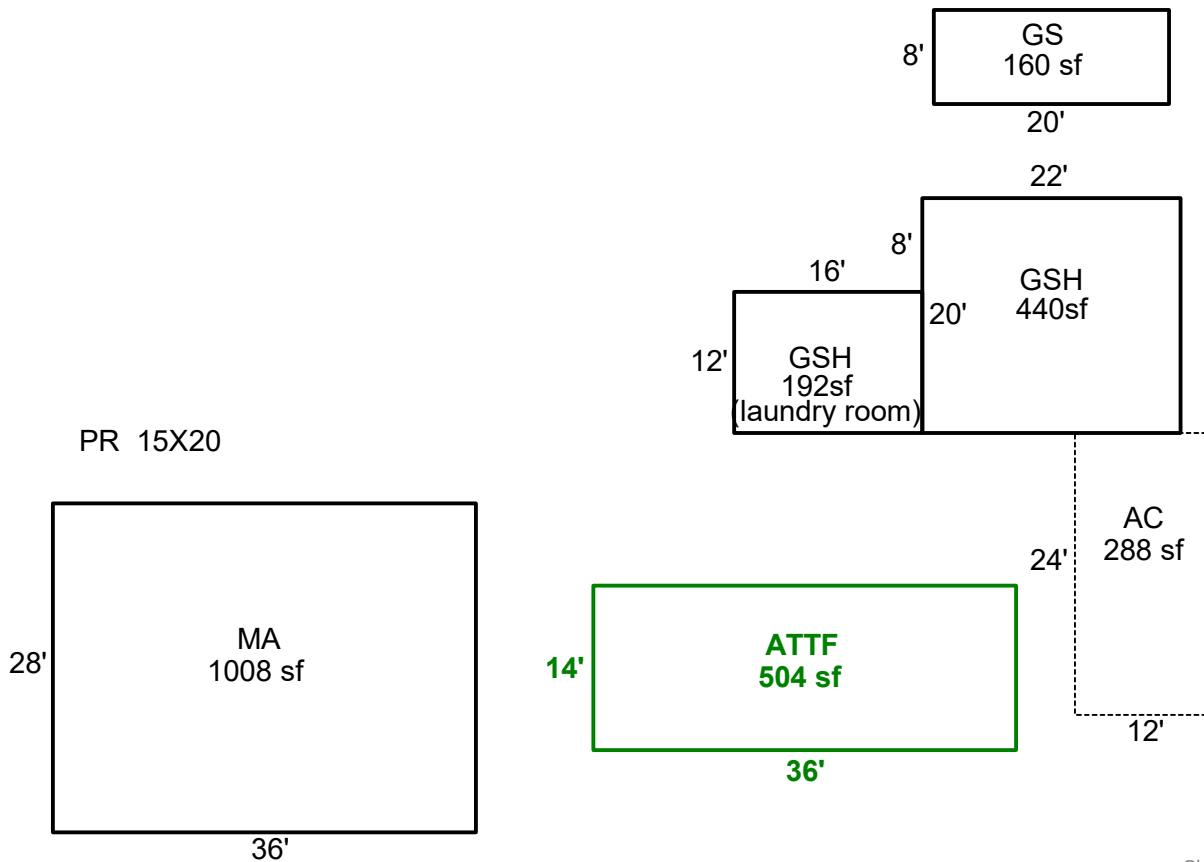
SKETCH/AREA TABLE ADDENDUM

SUBJECT INFO

File No.: R102431 Parcel No.: 061W26CC04601
 Property Address: 600 WHITTIER ST
 City: SILVERTON County: MARION State: OR ZipCode: 97381
 Owner:
 Client: Client Address:
 Appraiser Name: Inspection Date:

SKETCH

102431
061W26CC04601



Sketch by ApexSketch

AREA CALCULATIONS SUMMARY

Code	Description	Factor	Net Size	Perimeter	Net Totals
GBA	GSH	1.0	192.0	56.0	
	GSH	1.0	440.0	84.0	632.0
GBA1	GS	1.0	160.0	56.0	160.0
GLA1	MA	1.0	1008.0	128.0	1008.0
GLA2	ATTF	1.0	504.0	100.0	504.0
GAR	AC	1.0	288.0	72.0	288.0

COMMENT TABLE 1

APEX BY MJB 07-12-2010
 UPDATED BY MONA 10.02.17
 UPDATED BY LK 3.27.26

COMMENT TABLE 2

8.23.17 #72 NV-CYC
 3-5-26 SV AG

COMMENT TABLE 3

Net LIVABLE	cnt	0	(rounded)	1,512
Net BUILDING	cnt	2	(rounded)	792