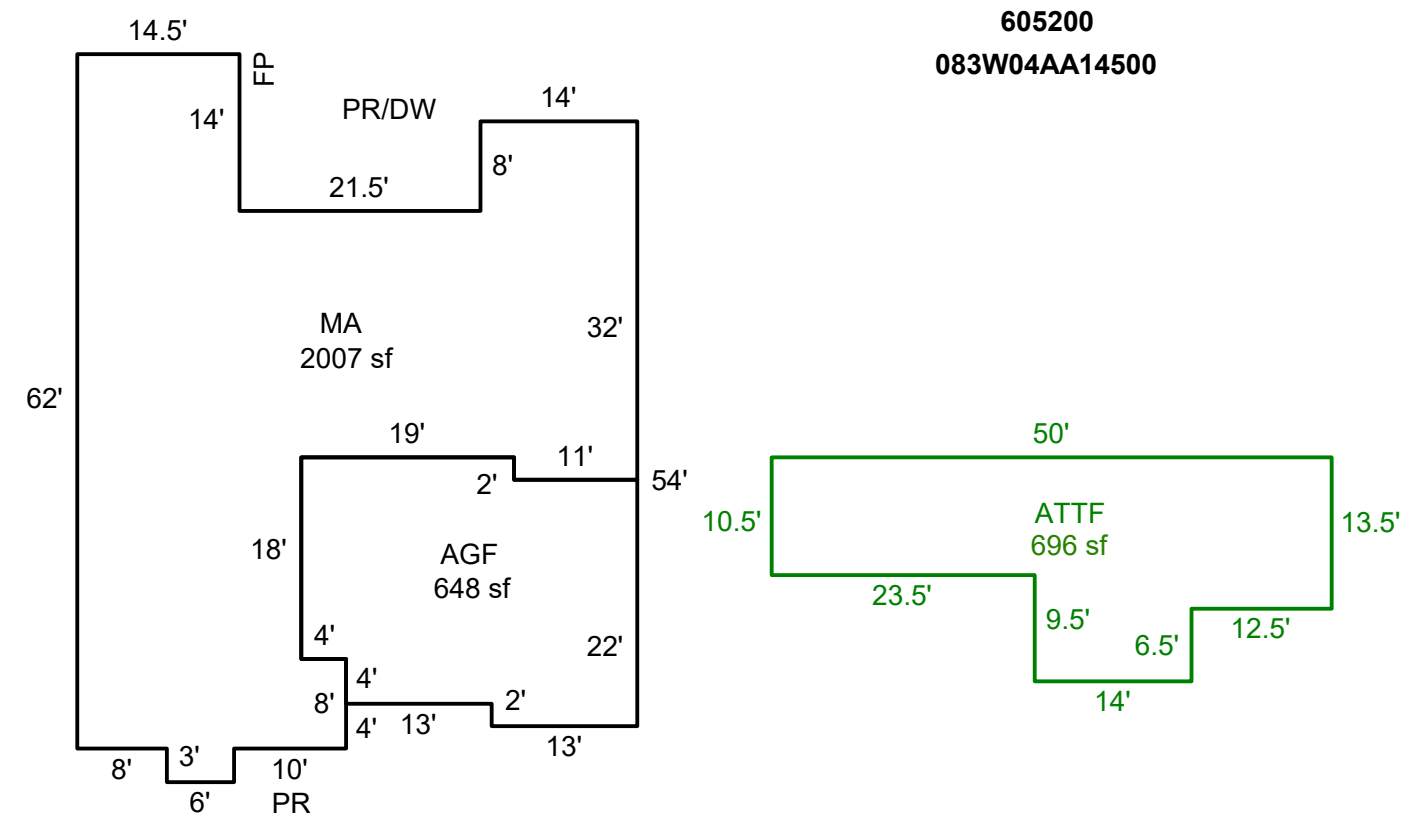


SKETCH/AREA TABLE ADDENDUM

SUBJECT INFO

File No.: 605200 Parcel No.: 083W04AA14500
 Property Address: 3382 Doughton St S
 City: Salem County: Marion State: OR ZipCode: 97302
 Owner:
 Client: Client Address:
 Appraiser Name: Inspection Date:

SKETCH



605200
083W04AA14500

Sketch by ApexSketch

AREA CALCULATIONS SUMMARY

Code	Description	Factor	Net Size	Perimeter	Net Totals
GLA	MA	1.0	2007.0	258.0	2007.0
GLA2	ATTF	1.0	695.5	140.0	695.5
GAR	AGF	1.0	648.0	108.0	648.0

COMMENT TABLE 1

Drawn by AE 2.19.26

COMMENT TABLE 2

COMMENT TABLE 3

Net LIVABLE cnt 2 (rounded) 2,703