

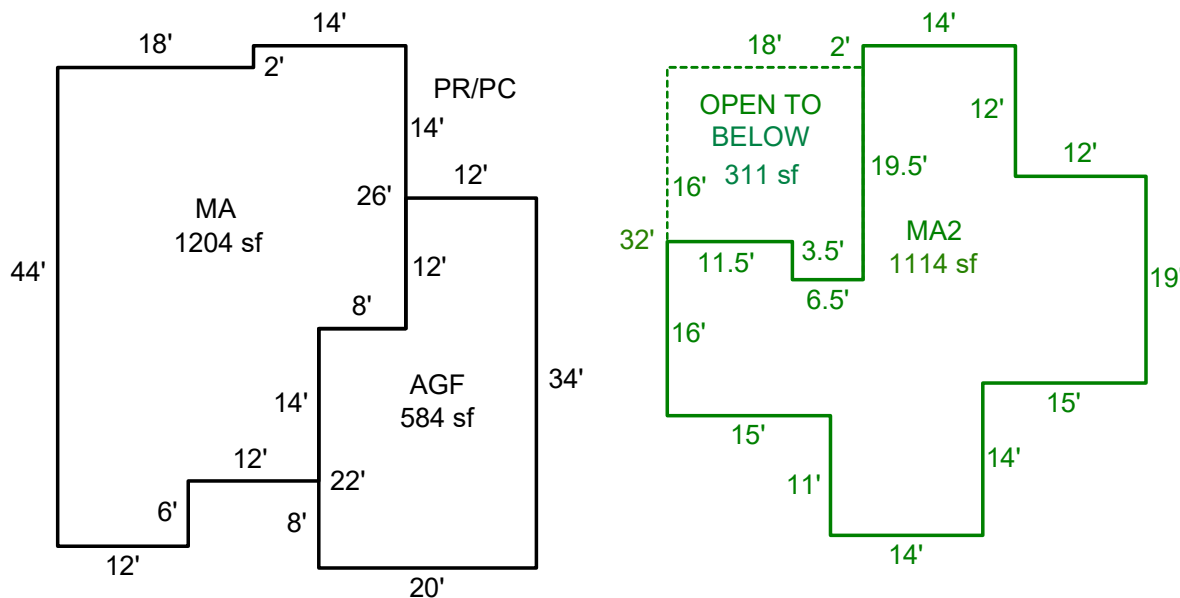
# SKETCH/AREA TABLE ADDENDUM

## SUBJECT INFO

File No.: 605086 Parcel No.: 083W17DC10500  
 Property Address: 6048 Evangelista St S  
 City: Salem County: Marion State: OR ZipCode: 97306  
 Owner:  
 Client: Client Address:  
 Appraiser Name: Inspection Date:

## SKETCH

**605086**  
**083W17DC10500**



Sketch by ApexSketch

### AREA CALCULATIONS SUMMARY

Code	Description	Factor	Net Size	Perimeter	Net Totals
GLA	MA	1.0	1204.0	156.0	1204.0
GLA2	MA2	1.0	1114.3	185.0	1114.3
GAR	AGF	1.0	584.0	108.0	584.0
OTH	OPEN TO	1.0	310.8	75.0	310.8

### COMMENT TABLE 1

Drawn by AE 10.22.24  
 UPDATED BY LK 1.21.25  
 Updated by AE 2.18.26

### COMMENT TABLE 2

12.18.24 TAG SH Verified

### COMMENT TABLE 3

Net LIVABLE                      cnt                      2      (rounded)                      2,318