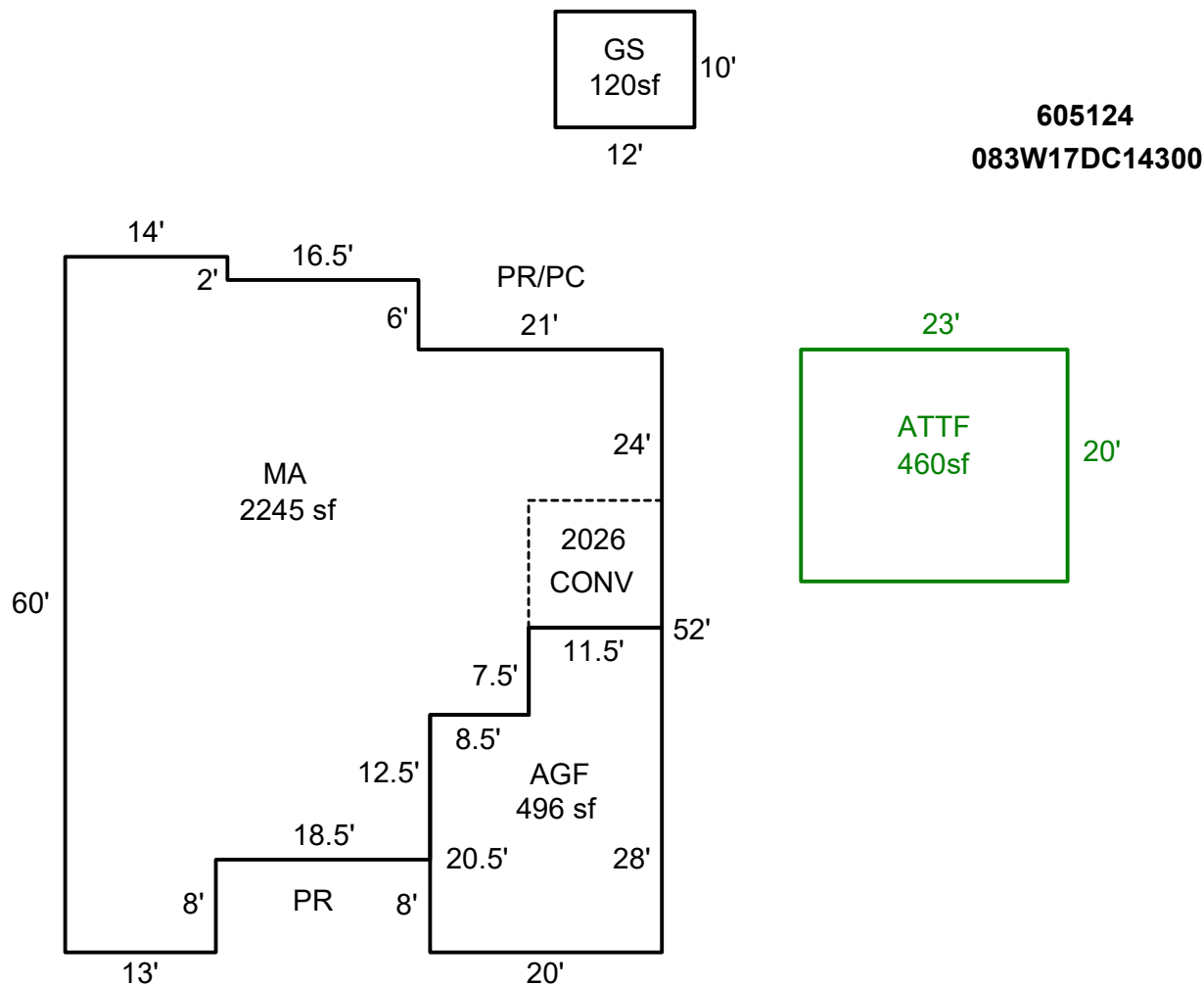


SKETCH/AREA TABLE ADDENDUM

SUBJECT INFO

File No.: 605124 Parcel No.: 083W17DC14300
 Property Address: 6081 EVANGELISTA ST S
 City: Salem County: Marion State: OR ZipCode: 97306
 Owner:
 Client: Client Address:
 Appraiser Name: Inspection Date:

SKETCH



Sketch by ApexSketch

AREA CALCULATIONS SUMMARY

Code	Description	Factor	Net Size	Perimeter	Net Totals
GBA	GS	1.0	120.0	44.0	120.0
GLA	MA	1.0	2244.8	223.0	2244.8
GLA2	ATTF	1.0	460.0	86.0	460.0
GAR	AGF	1.0	496.3	96.0	496.3

COMMENT TABLE 1

DRAWN BY CBAILEY 8/15/22
 UPDATED BY CBAILEY 11/15/22
 Updated by AE 12.30.25

COMMENT TABLE 2

Verified 10/18/22 SH
 9/13/24 SH Cycle N/C

COMMENT TABLE 3

Net LIVABLE	cnt	2	(rounded)		2,705
Net BUILDING	cnt	1	(rounded)		120