

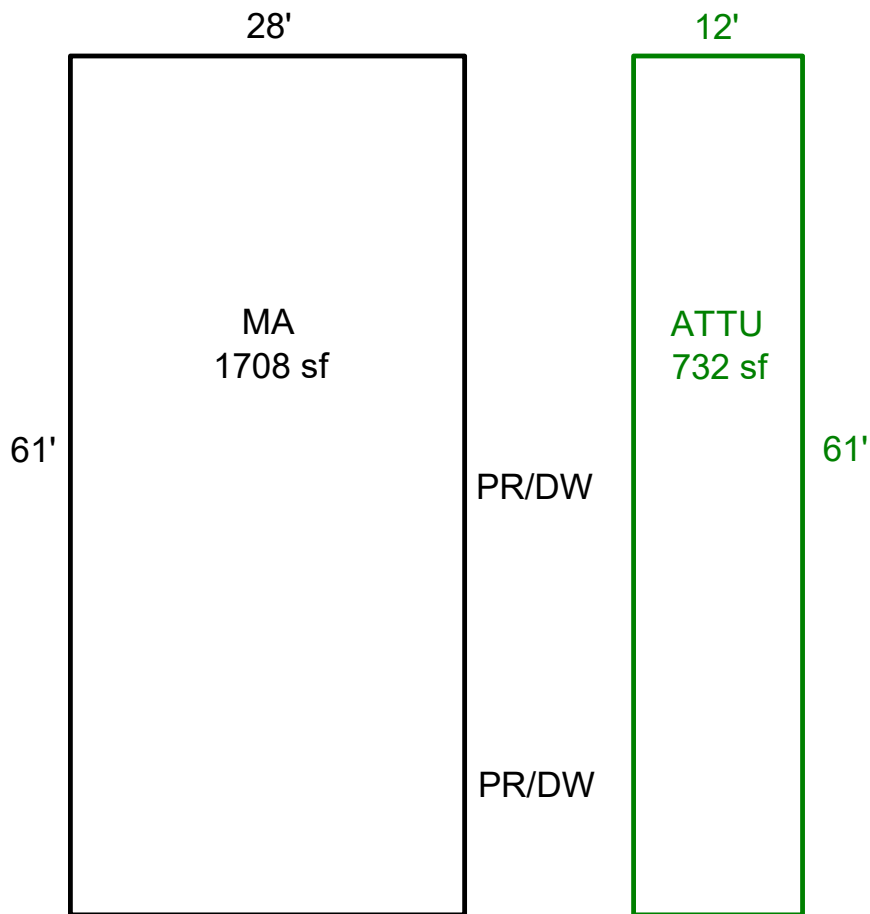
SKETCH/AREA TABLE ADDENDUM

SUBJECT INFO

File No.: 607251 Parcel No.: 073W31DB05801
 Property Address: 835 ELMA AVE SE
 City: SALEM County: Marion State: OR ZipCode: 97317
 Owner:
 Client: Client Address:
 Appraiser Name: Inspection Date:

SKETCH

607251
073W31DB05801



Sketch by ApexSketch

AREA CALCULATIONS SUMMARY

| Code | Description | Factor | Net Size | Perimeter | Net Totals |
|-------------|-------------|--------|-------------|-----------|------------|
| GLA | MA | 1.0 | 1708.0 | 178.0 | 1708.0 |
| GLA2 | ATTU | 1.0 | 732.0 | 146.0 | 732.0 |
| Net LIVABLE | | cnt | 2 (rounded) | | 2,440 |

COMMENT TABLE 1

DRAWN BY JT 8/15/23
 updated by lk 11.13.23
 UPDATED BY LK 1.2.25

COMMENT TABLE 2

10.2.23 TAG GM
 12.31.24 TAG GM

COMMENT TABLE 3