

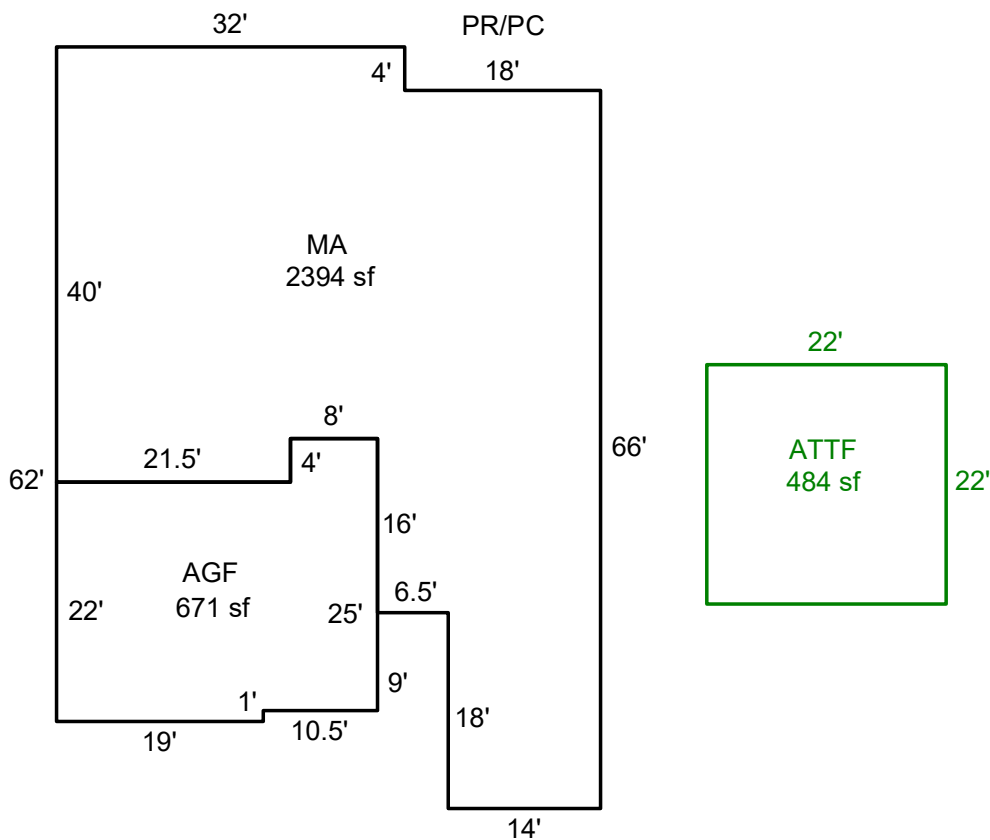
SKETCH/AREA TABLE ADDENDUM

SUBJECT INFO

File No.: 605118 Parcel No.: 083W17DC13700
 Property Address: 5995 Evangelista St S
 City: Salem County: Marion State: OR ZipCode: 97306
 Owner:
 Client: Client Address:
 Appraiser Name: Inspection Date:

SKETCH

605118
083W17DC13700



Sketch by ApexSketch

AREA CALCULATIONS SUMMARY

Code	Description	Factor	Net Size	Perimeter	Net Totals
GLA	MA	1.0	2394.0	248.0	2394.0
GLA2	ATTF	1.0	484.0	88.0	484.0
GAR	AGF	1.0	670.5	111.0	670.5

COMMENT TABLE 1

Drawn by AE 12.9.25

COMMENT TABLE 2

COMMENT TABLE 3

Net LIVABLE cnt 2 (rounded) 2,878