

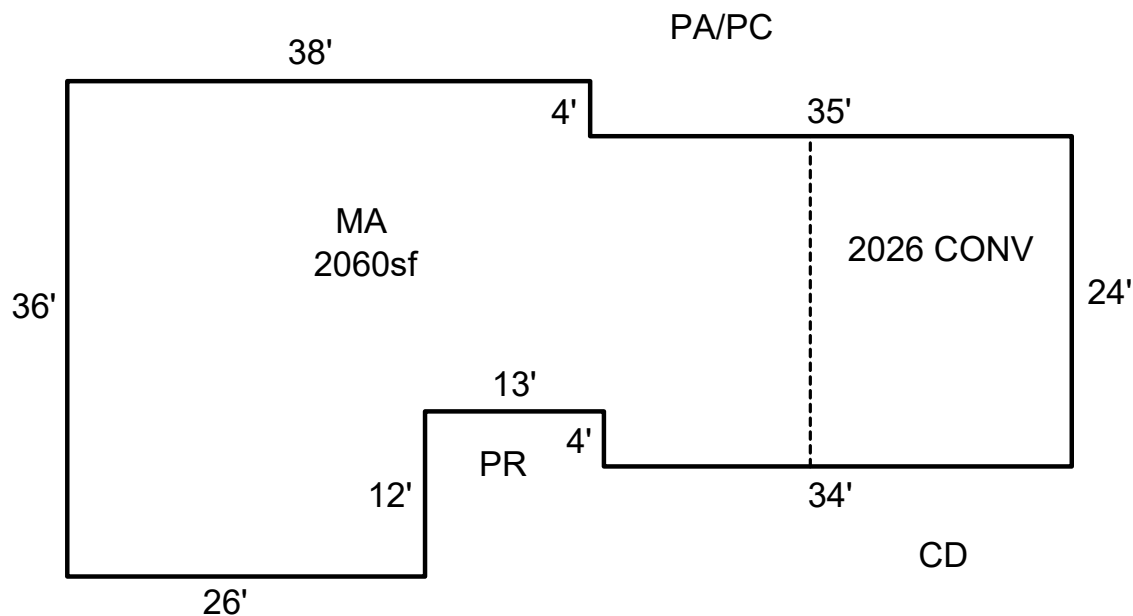
SKETCH/AREA TABLE ADDENDUM

SUBJECT INFO

File No.: 105979 Parcel No.: 051W18AA07200
 Property Address: 839 JOHNSON ST
 City: WOODBURN County: Marion State: OR ZipCode: 97071
 Owner:
 Client: Client Address:
 Appraiser Name: Inspection Date:

SKETCH

105979
051W18AA07200



Sketch by ApexSketch

AREA CALCULATIONS SUMMARY						COMMENT TABLE 1	
Code	Description	Factor	Net Size	Perimeter	Net Totals		
GLA	MA	1.0	2060.0	226.0	2060.0	DRAWN BY PST 10/25/2010 Updated by AE 12.9.25	
						COMMENT TABLE 2	COMMENT TABLE 3
						6/19/17 #72 NV-Cycle	
	Net LIVABLE	cnt	1	(rounded)	2,060		