

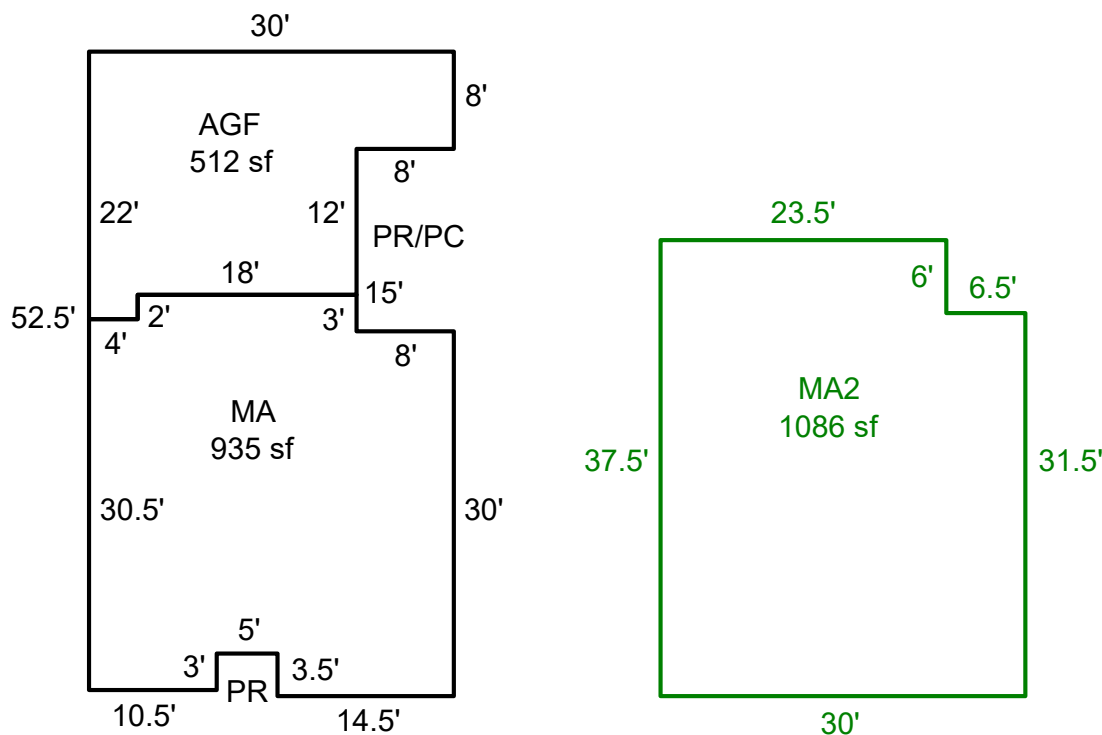
SKETCH/AREA TABLE ADDENDUM

SUBJECT INFO

File No.: 609882 Parcel No.: 051W06DA02600
 Property Address: 762 Magnolia Ave
 City: Woodburn County: Marion State: OR ZipCode: 97071
 Owner:
 Client: Client Address:
 Appraiser Name: Inspection Date:

SKETCH

609882
051W06DA02600



Sketch by ApexSketch

AREA CALCULATIONS SUMMARY						COMMENT TABLE 1			
Code	Description	Factor	Net Size	Perimeter	Net Totals	Drawn by AE 11.25.25			
GLA	MA	1.0	935.3	132.0	935.3				
GLA2	MA2	1.0	1086.0	135.0	1086.0				
GAR	AGF	1.0	512.0	104.0	512.0				
Net LIVABLE						cnt	2 (rounded)	2,021	
						COMMENT TABLE 2	COMMENT TABLE 3		