

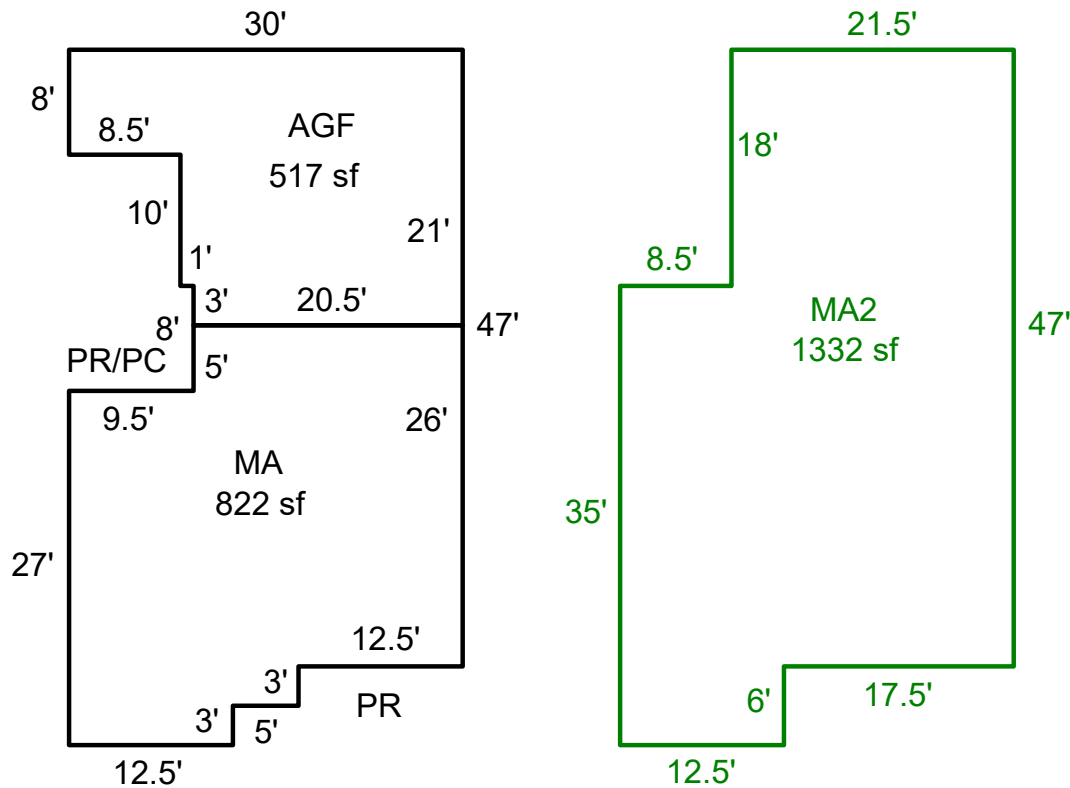
SKETCH/AREA TABLE ADDENDUM

SUBJECT INFO

File No.: 609879 Parcel No.: 051W06DA02300
 Property Address: 750 Magnolia Ave
 City: Woodburn County: Marion State: OR ZipCode: 97071
 Owner:
 Client:
 Appraiser Name: Client Address:
 Inspection Date:

SKETCH

609879
051W06DA02300



Sketch by ApexSketch

AREA CALCULATIONS SUMMARY

Code	Description	Factor	Net Size	Perimeter	Net Totals
GLA	MA	1.0	822.5	124.0	822.5
GLA2	MA2	1.0	1332.0	166.0	1332.0
GAR	AGF	1.0	516.5	102.0	516.5

COMMENT TABLE 1

Drawn by AE 11.25.25

COMMENT TABLE 2

COMMENT TABLE 3

Net LIVABLE cnt 2 (rounded) 2,155