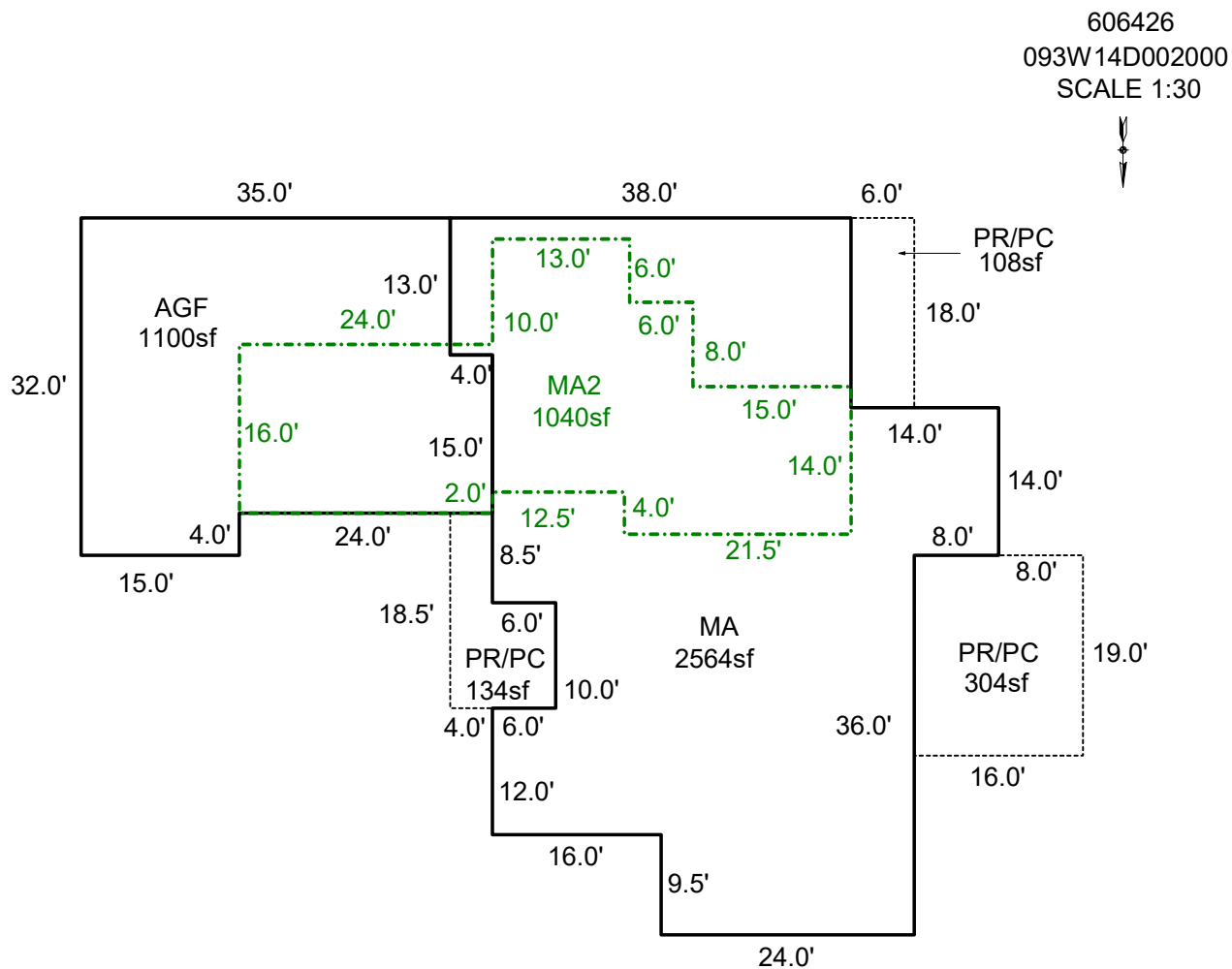


# SKETCH/AREA TABLE ADDENDUM

## SUBJECT INFO

File No.: 606426 Parcel No.: 093W14D002000  
 Property Address: 12091 HAPPY WAY SE  
 City: JEFFERSON County: Marion State: OR ZipCode:  
 Owner:  
 Client: Client Address:  
 Appraiser Name: Inspection Date:

## SKETCH



### AREA CALCULATIONS SUMMARY

Code	Description	Factor	Net Size	Perimeter	Net Totals
MA2	MA2	1.0	1040.0	176.0	1040.0
GAR	AGF	1.0	1100.0	142.0	1100.0
MA	MA	1.0	2564.0	252.0	2564.0
P/P	PR/PC	1.0	108.0	48.0	
	PR/PC	1.0	304.0	70.0	
	PR/PC	1.0	134.0	57.0	546.0

### COMMENT TABLE 1

APEX BY CLOBERG 01/09/25 24-008215 MA  
 UPDATED BY CLOBERG 12/01/25 MA2

### COMMENT TABLE 2

### COMMENT TABLE 3

Net LIVABLE                      cnt                      2                      (rounded)                      3,604