

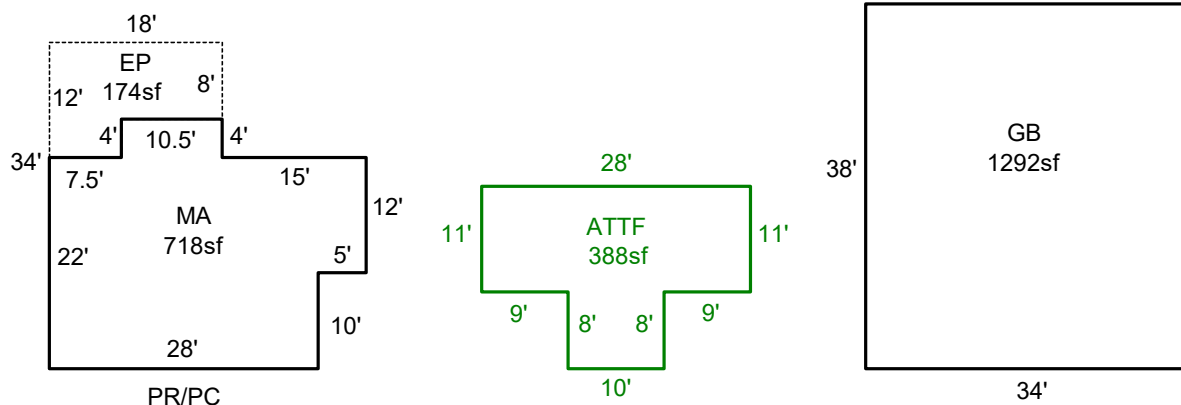
# SKETCH/AREA TABLE ADDENDUM

## SUBJECT INFO

File No.: 100811		Parcel No.: 103W12CC06500	
Property Address: 713 S Main St			
City: Jefferson	County: Marion	State: OR	ZipCode: 97352
Owner:			
Client:		Client Address:	
Appraiser Name:		Inspection Date:	

## SKETCH

**100811**  
**103W12CC06500**



### AREA CALCULATIONS SUMMARY

Code	Description	Factor	Net Size	Perimeter	Net Totals
GLA	MA	1.0	718.0	118.0	718.0
GLA2	ATTF	1.0	388.0	94.0	388.0
GAR	GB	1.0	1292.0	144.0	1292.0
P/P	EP	1.0	174.0	60.0	174.0

### COMMENT TABLE 1

DRAWN BY PST 12/30/08  
 UPDATED BY LK 4.4.25  
 Updated by AE 8.15.25  
 UPDATED BY LK 11.07.25

### COMMENT TABLE 2

N/V 28 5/13/16  
 3.24.25 CYCLE GM  
 10.16.25 TAG GM

### COMMENT TABLE 3

Net LIVABLE                      cnt                      2                      (rounded)                      1,106