

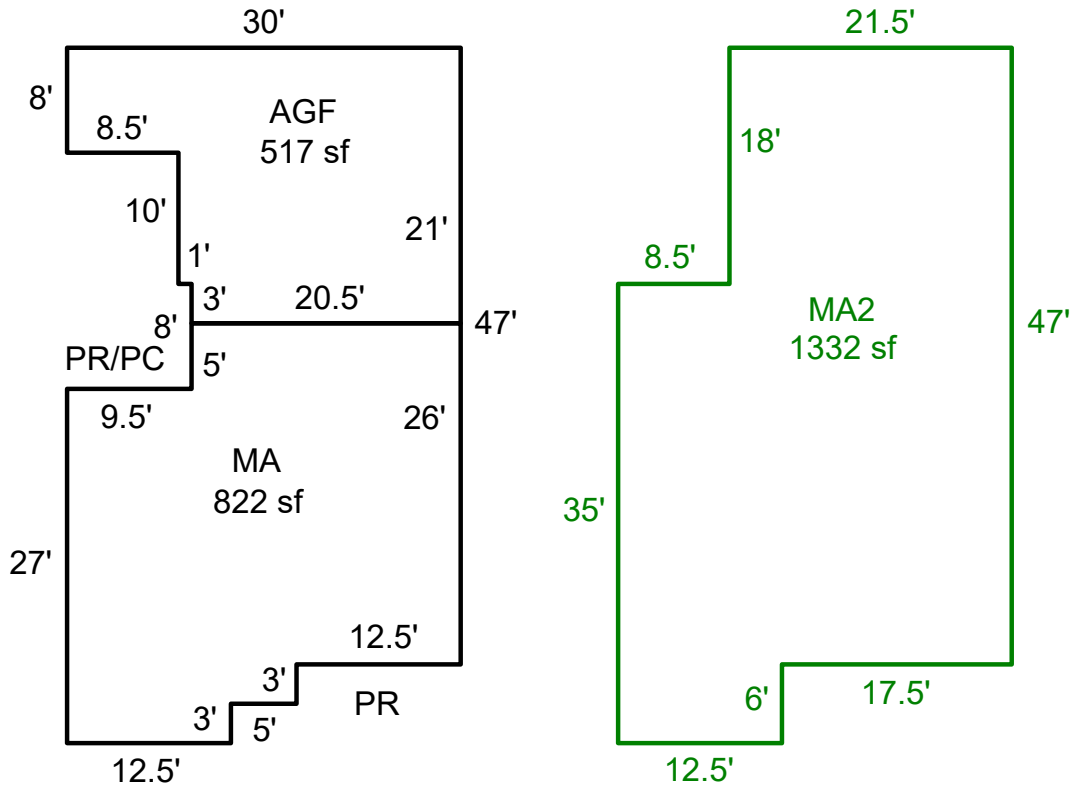
SKETCH/AREA TABLE ADDENDUM

SUBJECT INFO

File No.: 609875 Parcel No.: 051W06DA01900
 Property Address: 700 Magnolia Ave
 City: Woodburn County: Marion State: OR ZipCode: 97071
 Owner:
 Client:
 Appraiser Name: Inspection Date:

SKETCH

609875
051W06DA01900



Sketch by ApexSketch

AREA CALCULATIONS SUMMARY

Code	Description	Factor	Net Size	Perimeter	Net Totals
GLA	MA	1.0	822.5	124.0	822.5
GLA2	MA2	1.0	1332.0	166.0	1332.0
GAR	AGF	1.0	516.5	102.0	516.5

COMMENT TABLE 1

Drawn by AE 10.22.25

COMMENT TABLE 2

COMMENT TABLE 3

Net LIVABLE cnt 2 (rounded) 2,155