

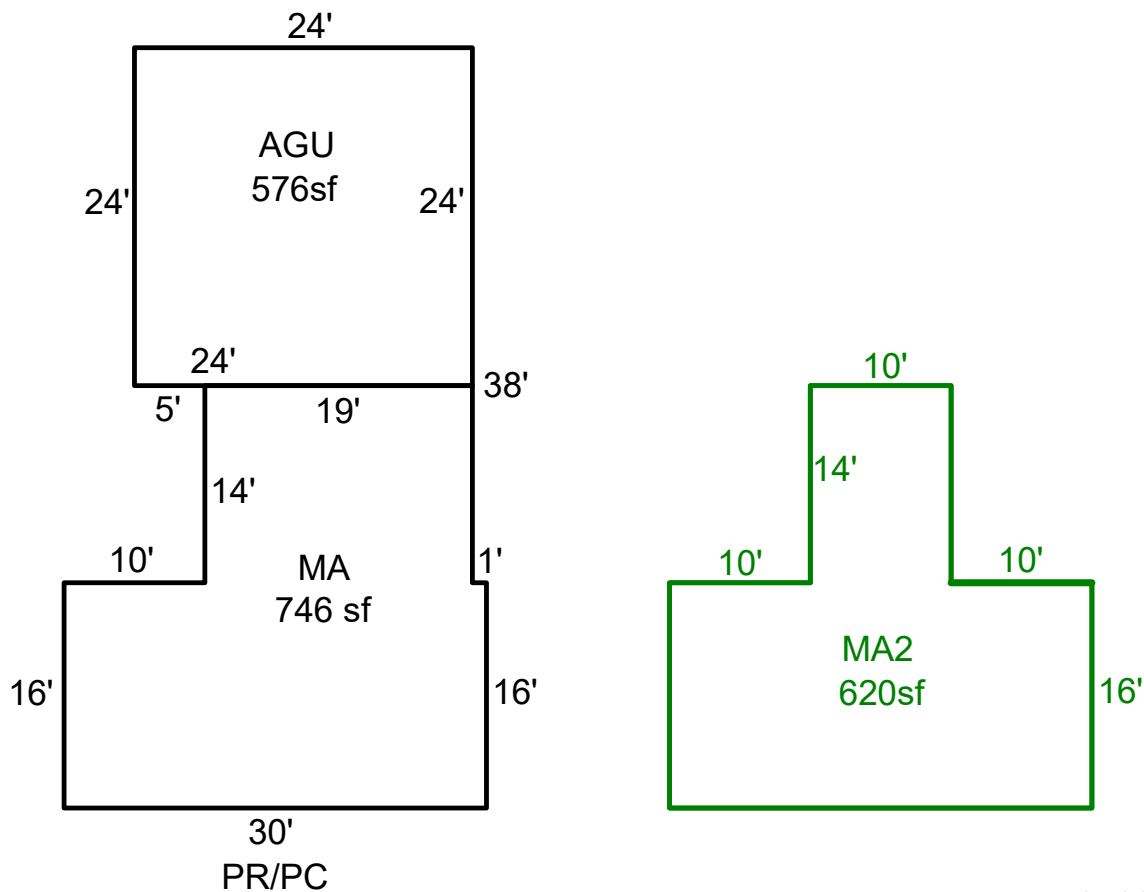
# SKETCH/AREA TABLE ADDENDUM

## SUBJECT INFO

File No.: 104342	Parcel No.: 091W10CA06800
Property Address: 171 W VIRGINIA ST	
City: STAYTON	County: Marion
State: OR	ZipCode: 97383
Owner:	
Client:	
Client Address:	
Appraiser Name:	
Inspection Date:	

## SKETCH

**104342**  
**091W10CA06800**



Sketch by ApexSketch

### AREA CALCULATIONS SUMMARY

Code	Description	Factor	Net Size	Perimeter	Net Totals
GLA1	MA	1.0	746.0	120.0	746.0
GLA2	MA2	1.0	0.0	82.0	
	ATTF	1.0	0.0	38.0	
	MA2	1.0	620.0	120.0	620.0
GAR	AGU	1.0	576.0	96.0	576.0

### COMMENT TABLE 1

DRAWN BY SH 7-20-09  
UPDATED BY RESTILL 8/16/16  
UPDATED BY LK 3.21.25

### COMMENT TABLE 2

6-29-16 96 CYCLE NV  
3.17.25 CYCLE TS

### COMMENT TABLE 3

Net LIVABLE                      cnt                      4      (rounded)                      1,366