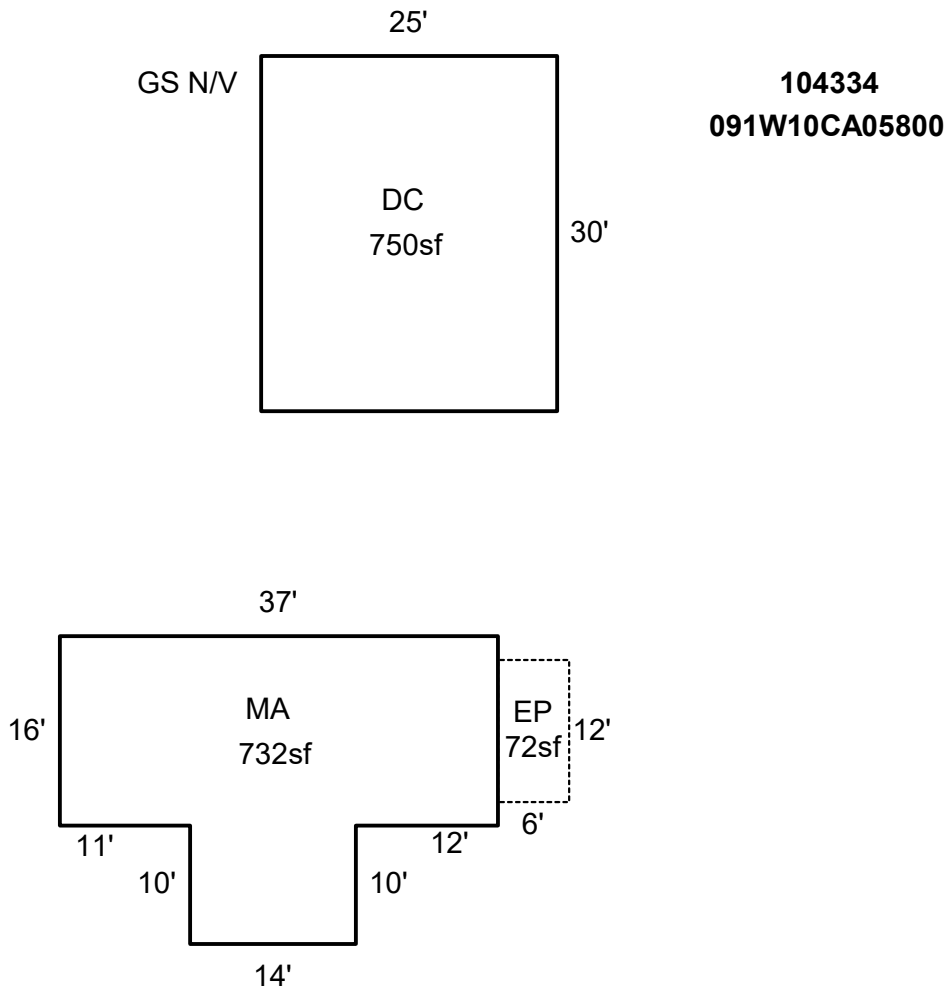


SKETCH/AREA TABLE ADDENDUM

SUBJECT INFO

File No.: 104334 Parcel No.: 091W10CA05800
 Property Address: 228 W WASHINGTON ST
 City: STAYTON County: State: OR ZipCode: 97383
 Owner:
 Client: Client Address:
 Appraiser Name: Inspection Date:

SKETCH



Sketch by ApexSketch

AREA CALCULATIONS SUMMARY

Code	Description	Factor	Net Size	Perimeter	Net Totals
GLA1	MA	1.0	732.0	126.0	732.0
GAR	DC	1.0	750.0	110.0	750.0
PR	EP	1.0	72.0	36.0	72.0

COMMENT TABLE 1

DRAWN BY SH 7-20-09
 UPDATED BY LK 3.21.25

COMMENT TABLE 2

3.17.25 CYCLE TS

COMMENT TABLE 3

Net LIVABLE cnt 0 (rounded) 732