

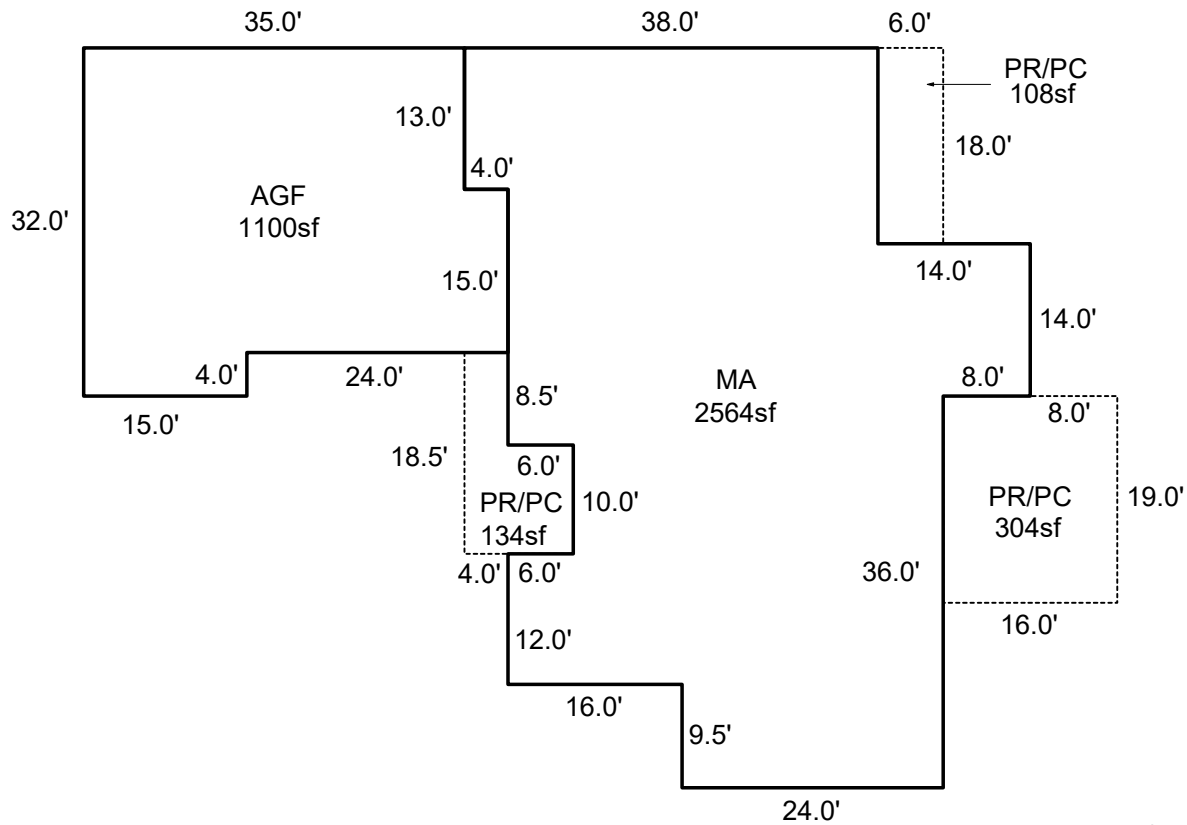
SKETCH/AREA TABLE ADDENDUM

SUBJECT INFO

File No.: 606426 Parcel No.: 093W14D002000
 Property Address: 12091 HAPPY WAY SE
 City: JEFFERSON County: Marion State: OR ZipCode:
 Owner:
 Client: Client Address:
 Appraiser Name: Inspection Date:

SKETCH

606426
 093W14D002000
 SCALE 1:30



Sketch by ApexSketch

AREA CALCULATIONS SUMMARY

| Code | Description | Factor | Net Size | Perimeter | Net Totals |
|------|-------------|--------|----------|-----------|------------|
| GAR | AGF | 1.0 | 1100.0 | 142.0 | 1100.0 |
| MA | MA | 1.0 | 2564.0 | 252.0 | 2564.0 |
| P/P | PR/PC | 1.0 | 108.0 | 48.0 | |
| | PR/PC | 1.0 | 304.0 | 70.0 | |
| | PR/PC | 1.0 | 134.0 | 57.0 | 546.0 |

COMMENT TABLE 1

APEX BY CLOBERG 01/09/25 24-008215 MA

COMMENT TABLE 2

COMMENT TABLE 3

Net LIVABLE cnt 1 (rounded) 2,564